



## SPB05K1P277 LED Lighting Surge Protector

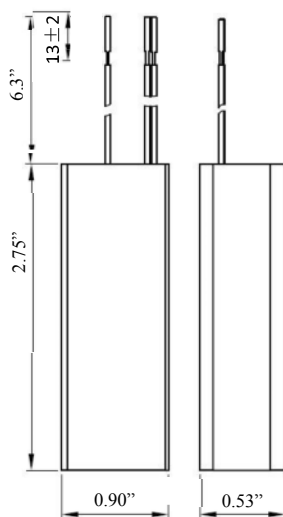


### 120/277 Volt 10KA IEEE C62.41 2002 C LED Lighting Surge Protector

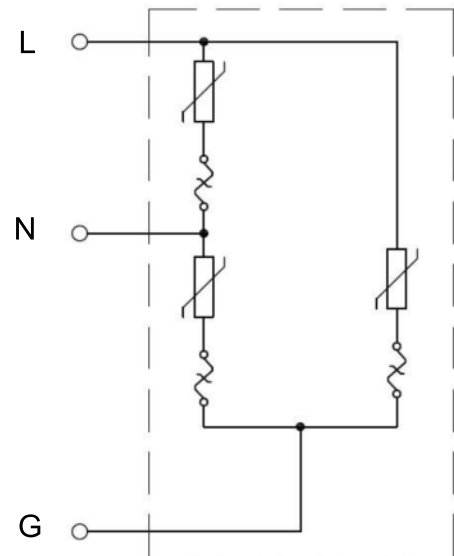
#### Features

- Small Footprint, Compact Installation
- 10Ka I<sub>max</sub> Surge Capacity
- 5Ka In Nominal Discharge Current
- 10Kv UOC/VMAX
- All Mode Surge Protector L-L, L-N, N-G
- UL Recognized component
- Internal Thermal Fused (TFMOV) technology

#### Dimensions



#### Internal Wiring Diagram





# SPB05K1P277 LED Lighting Surge Protector

## SPECIFICATIONS

Specification	Technical Specification	Reference Standards
Operational Temperature	-40F ~ +185F	GB/T 10193 IEC 61051
Storage Temperature and Humidity Range (24 hours)	-40F ~ +185F	IEC 60068-2-1 IEC 60068-2-2
Nominal System Voltage	120/277 Vac	UL 1449 4 <sup>th</sup>
Maximum Continuous Operating Voltage	320 Vac	UL 1449
Nominal Discharge Current	5 kA	UL 1449
Open Circuit Voltage	10 kV	UL 1449
Maximum Discharge Current (I <sub>max</sub> )(8/20)	10 kA	IEC 61643.11-2011
Voltage Protection Rating	1150 Volts	UL 1449 4 <sup>th</sup>
Protection Mode	L-N L-G N-G	UL 1449 4 <sup>th</sup>
Altitude	≤ 6550 Feet	IEC61643-11: 2011